

AXIS P85 Network Camera Series

Discreet, eye-level cameras for identification



- > Discreet eye-level cameras for identification
- > Up to HDTV 1080p
- > Model with Wide Dynamic Range - Forensic Capture

AXIS P85 Series offers eye-level, pinhole cameras installed in a height strip housing for discreet, indoor video surveillance—ideal for retail, hotel and banking environments. For placement near exits of buildings, AXIS P85 cameras are positioned to look straight at a person’s face for more reliable identification even when the person is wearing a hood or baseball cap.

The series comprises AXIS P8524 and AXIS P8535. AXIS P8524 provides HDTV 720p and a 57° horizontal field of view. The advanced AXIS P8535 offers HDTV 1080p, a wide 92° horizontal field of view and Wide Dynamic Range - Forensic Capture that enables superb performance in scenes with high-contrast lighting and low light.

AXIS P85 cameras have a rectangular form factor in black or silver with a height indicator in metric or imperial measurement. The sensor unit (lens and image

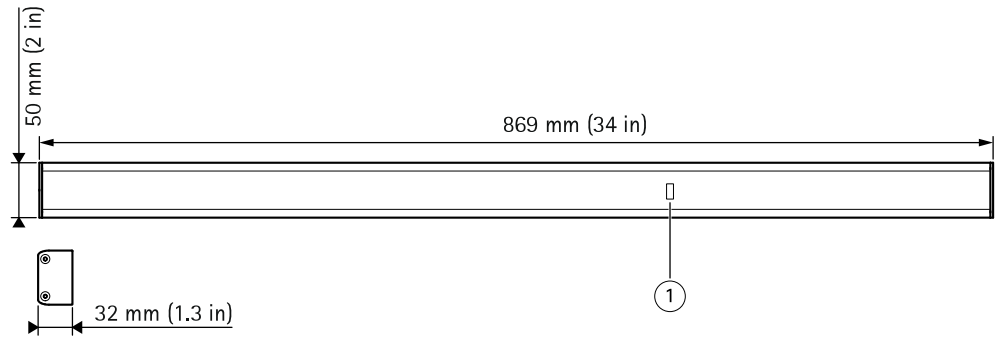
sensor) is mounted at a height of 170 cm in the metric model and 5.5 ft in the imperial version. The sensor unit has a cable for connection to the main unit, which can be placed out of public view.

AXIS P85 cameras support Power over Ethernet, and their viewing direction is easily adjustable. They enable local storage of recordings and connection to external devices. AXIS P8535 also supports audio and RS232 for integration of external data to the video.



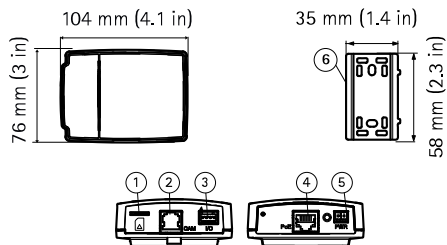
Dimension - Height strip

1. Sensor unit is positioned at 170 cm (metric model) and 5.5 ft (imperial model) from the floor



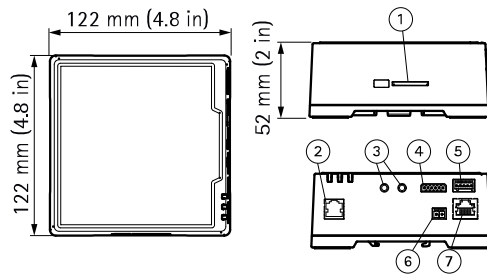
Dimension - Main unit for AXIS P8524

1. microSD card slot
2. Camera connector
3. I/O
4. Network
5. Power
6. Mounting rail



Dimension - Main unit for AXIS P8535

1. SD card slot
2. To sensor unit
3. Audio in/out
4. I/O
5. RS232
6. Power
7. Network



Technical Specifications - AXIS P8524 Network Camera

Models	AXIS P8524: HDTV 720p in black/silver housing with metric/imperial height strip	Event actions	File upload: FTP, HTTP, network share and email Notification: email, HTTP and TCP External output activation Video recording to edge storage Pre- and post-alarm video buffering
Camera		Built-in installation aids	Pixel counter
Image sensor	1/4" progressive scan RGB CMOS	Data streaming	Event data
Lens	Fixed iris, fixed focus 3.7 mm: 57° view ^a , F2.5	General	
Light sensitivity	1.2-10000 lux	Casing	Main unit: Polycarbonate Height strip: Aluminum
Shutter time	1/24500 s to 1/6 s	Memory	256 MB RAM, 128 MB Flash
Camera angle adjustment	Pan ±30°	Power	Power over Ethernet IEEE 802.3af/802.3at Type 1 Class 2 (max 6.49 W) 8-28 V DC max 4.7 W
Cable length	8 m (26 ft) cable on sensor unit for attachment to main unit	Connectors	RJ45 for 10BASE-T/100BASE-TX PoE RJ12 for the sensor unit Terminal blocks for power, 1 alarm input and 1 output
Video		Edge storage	microSD/microSDHC/microSDXC slot supporting memory card up to 64 GB (card not included) Support for recording to dedicated network-attached storage (NAS)
Video compression	H.264 (MPEG-4 Part 10/AVC) Motion JPEG	Operating conditions	-20 °C to 50 °C (-4 °F to 122 °F) Humidity 10-85% RH (non-condensing)
Resolutions	1280x720 to 320x180	Approvals	EN 55022 Class B, EN 55024, EN 61000-3-2, EN 61000-3-3, EN 61000-6-1, FCC Part 15 Subpart B Class B, ICES-003 Class B, VCCI Class B, C-tick AS/NZS CISPR 22 Class B, KCC KN22 Class B, KN24, IEC/EN/UL 60950-1, IEC 60068-2-1, IEC 60068-2-2, IEC 60068-2-6, IEC 60068-2-27, 60068-2-78
Frame rate	H.264: Up to 25/30 fps (50/60 Hz) in all resolutions Motion JPEG: Up to 25/30 fps (50/60 Hz) in all resolutions	Weight	Main unit: 109 g (0.24 lb) Height strip: 930 g (2.05 lb)
Video streaming	Multiple, individually configurable streams in H.264 and Motion JPEG Controllable frame rate and bandwidth VBR/CBR H.264	Included accessories	Mounting kit, Installation Guide, Installation and Management Software CD, Windows decoder 1-user license, AVHS Authentication key
Image settings	Compression, Color, Brightness, Sharpness, Contrast, White balance, Exposure control, Exposure zones, Backlight compensation, Fine tuning of behavior at low light, Rotation, Text and image overlay, Mirroring of images, Privacy mask	Optional accessories	AXIS PoE Midspans
Network		Video management software	AXIS Camera Companion (included), AXIS Camera Station and video management software from Axis' Application Development Partners (not included). For more information, see www.axis.com/products/video/software
Security	Password protection, IP address filtering, HTTPS ^b encryption, IEEE 802.1X ^b network access control, Digest authentication, User access log	Warranty	Axis 3-year warranty and AXIS Extended Warranty option, see www.axis.com/warranty
Supported protocols	IPv4/v6, HTTP, HTTPS ^b , SSL/TLS ^b , QoS Layer 3 DiffServ, FTP, CIFS/SMB, SMTP, Bonjour, UPnP, SNMPv1/v2c/v3 (MIB-II), DNS, DynDNS, NTP, RTSP, RTP, TCP, UDP, IGMP, RTCP, ICMP, DHCP, ARP, SOCKS	Footnotes	
System integration		a. <i>Horizontal angle of view</i> b. <i>This product includes software developed by the OpenSSL Project for use in the OpenSSL Toolkit (http://www.openssl.org/), and cryptographic software written by Eric Young (ey@cryptsoft.com).</i>	
Application Programming Interface	Open API for software integration, including VAPIX [®] and AXIS Camera Application Platform; specifications at www.axis.com AXIS Video Hosting System (AVHS) with One-Click Camera Connection. ONVIF Profile S; specification at www.onvif.org		
Analytics	Video motion detection, Active tampering alarm, AXIS Camera Application Platform enabling installation of additional applications		
Event triggers	Intelligent video, External inputs, Video loss		

Technical Specifications - AXIS P8535 Network Camera

Models	AXIS P8535: HDTV 1080p with AXIS F41 Main Unit and AXIS F1025 Sensor Unit in black/silver housing with metric/imperial height strip	Analytics	Video motion detection, Active tampering alarm, Audio detection, AXIS Camera Application Platform
Camera		Event triggers	Intelligent video, External inputs, Edge storage events
Image sensor	1/2.8" (effective) progressive scan RGB CMOS	Event actions	File upload: FTP, HTTP, network share and email; Notification: email, HTTP and TCP; External output activation; Pre- and post-alarm video buffering; Video and audio recording to edge storage; Play audio clip; WDR mode
Lens	Fixed iris, fixed focus, 3.7 mm: 92° view ^a , F2.5	Built-in installation aids	Pixel counter
Minimum illumination	Color: 0.3 lux, F2.5	Data streaming	Event data
Shutter time	HDTV 1080p 25/30/50/60 fps: 1/143000 s to 2 s WUXGA (1920x1200) 25/30 fps: 1/143000 s to 2 s	General	
Camera angle adjustment	Pan ±15°	Casing	Aluminum
Cable length	12 m (39 ft) cable on sensor unit for attachment to main unit	Memory	512 MB RAM, 256 MB Flash
Video		Power	Power over Ethernet (PoE) IEEE 802.3af/802.3at Type 1 Class 3 (max 7.7 W); 8–28 V DC max 7.8 W
Video compression	H.264 (MPEG-4 Part 10/AVC) Baseline, Main and High Profiles Motion JPEG	Connectors	Female RJ45 for 10BASE-T/100BASE-TX PoE; RJ12 for sensor unit; 6-pin terminal block for four configurable inputs/outputs (12 V DC output), max. load 50 mA; 3.5 mm mic/line in, 3.5 mm line out; 5-pin terminal block RS232; 2-pin terminal block for 8–28 V DC input
Resolutions	1920x1200 (WUXGA) to 160x90	Edge storage	SD/SDHC/SDXC slot supporting memory card up to 64 GB (card not included); Support for recording to dedicated network-attached storage (NAS)
Frame rate	H.264/Motion JPEG: In HDTV 1080p (no WDR), 50/60 fps (50/60 Hz); In WUXGA (no WDR) and in HDTV 1080p with WDR, 25/30 fps (50/60 Hz)	Operating conditions	Humidity 10–85% RH (non-condensing) Main unit: -30 °C to 60 °C (-22 °F to 140 °F) Height strip: -30 °C to 55 °C (-22 °F to 131 °F)
Video streaming	Multiple, individually configurable streams in H.264 (Main, Baseline and High Profiles) and Motion JPEG; Controllable frame rate and bandwidth; VBR/MBR H.264	Approvals	IEC/EN/UL 60950-1, IEC 60068-2-6, IEC 60068-2-27, EN 55022 Class B, EN 55024, EN 61000-6-1, EN 61000-6-2, EN 61000-3-2, EN 61000-3-3, FCC Part 15 Subpart B Class B, ICES-003 Class B, VCCI Class B, C-tick AS/NZS CISPR 22 Class B, KCC KN22 Class B, KN24, EN 50581 Main unit only: ECE R10 rev.04, EN 50121-4, IEC 62236-4
Image settings	Wide Dynamic Range – Forensic Capture, Compression, Color, Brightness, Sharpness, Contrast, White balance, Exposure value, Exposure control, Exposure zones, Local contrast, Rotation, Text and image overlay, Privacy mask, Mirroring of images	Weight	Main unit: 532 g (1.17 lb) Height strip: 1050 g (2.3 lb)
Audio		Included accessories	Installation Guide, Installation and Management Software CD, Windows decoder 1-user license, AVHS Authentication key
Audio streaming	Two-way	Optional accessories	AXIS F8001 Surface Mount with Strain Relief, AXIS F8002 DIN Rail Clip, AXIS T8120 15 W Midspan, AXIS T83 Microphones
Audio compression	AAC-LC 8/16/32 kHz, 8–128 kbit/s; G.711 PCM 8 kHz 64 kbit/s; G.726 ADPCM 8 kHz 32 kbit/s or 24 kbit/s; Configurable bit rate	Video management software	AXIS Camera Companion (included), AXIS Camera Station and video management software from Axis' Application Development Partners (not included)
Audio input/output	External microphone input or line input, Line output	Warranty	Axis 3-year warranty and AXIS Extended Warranty option, see www.axis.com/warranty
Network			
Security	Password protection, IP address filtering, HTTPS ^b encryption, IEEE 802.1X ^b network access control, Digest authentication, User access log, Centralized certificate management		
Supported protocols	IPv4/v6, HTTP, HTTPS ^b , SSL/TLS ^b , QoS Layer 3 DiffServ, FTP, CIFS/SMB, SMTP, Bonjour, UPnP [™] , SNMPv1/v2c/v3 (MIB-II), DNS, DynDNS, NTP, RTSP, RTP, TCP, UDP, IGMP, RTCP, ICMP, DHCP, ARP, SOCKS, SSH		
System integration			
Application Programming Interface	Open API for software integration, including VAPIX [®] and AXIS Camera Application Platform, specifications at www.axis.com ; AXIS Video Hosting System (AVHS) with One-Click Camera Connection; ONVIF Profile S, specification at www.onvif.org		

- a. Horizontal angle of view
b. This product includes software developed by the OpenSSL Project for use in the OpenSSL Toolkit (<http://www.openssl.org/>), and cryptographic software written by Eric Young (eyay@cryptsoft.com).

More information is available at www.axis.com