

AXIS P54 PTZ Dome Network Camera Series

Intelligent direct drive HDTV PTZ domes



- > Outdoor wall-mount design for easy installation
- > Repaintable integrated sunshield
- > Durable, low maintenance mechanics
- > Up to HDTV 1080p with 18x zoom
- > Two-way audio & I/Os

AXIS P54 Series comprises outdoor-ready, wall-mounted HDTV pan/tilt/zoom cameras that are aesthetically designed to blend in with a building. The attractively priced cameras are ideal for use in city and perimeter surveillance, parking houses and school yards.

AXIS P54 cameras mount directly on a wall without the traditional mounting arm. The design, which incorporates a wall bracket, allows the cameras to be at one with the building. The built-in bracket also provides cost-savings by eliminating the need for a separate mounting accessory, and makes installation easier and quicker. The cameras' integrated sunshield can be easily repainted to match the color of the building.

AXIS P54's innovations extend inside as well. The cameras have a direct drive pan/tilt system that enables unsurpassed endurance. With no belts or gears, they are reliable, low maintenance PTZ cameras.

AXIS P5414-E provides HDTV 720p performance, while AXIS P5415-E offers HDTV 1080p. Both support 18x optical zoom with autofocus. In combination with HDTV resolution, the cameras provide highly detailed zoomed-in views. When mounted on the corner of a building, the cameras enable a 270° pan for wide area coverage. Support for Advanced Gatekeeper enables the cameras to automatically pan, tilt and zoom in to a preset position when motion is detected in a predefined area.

The cameras have a hidden junction box that supports two-way audio, a memory card slot, four configurable input/output ports for external devices, and the option of using either 24 V DC or Power over Ethernet Plus (IEEE 802.3at).



Innovation inside and out



AXIS P54 Series introduces an intelligent, direct drive pan/tilt system and a new design for wall-mount PTZ cameras that enables easy and discreet installation

Easy to install; blends in with environment

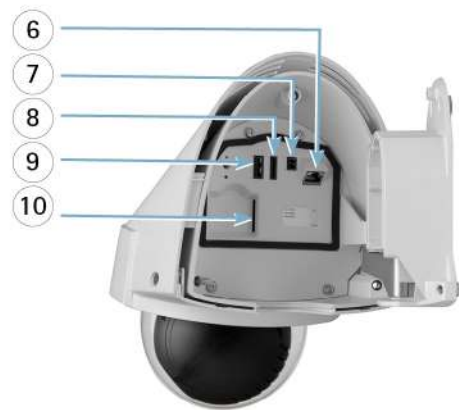


An AXIS P54 camera comes with a built-in wall bracket (1) for easy installation. Oblong screw holes (2) make leveling easier. Extra space (3) is provided for service loops and there are holes (4) for cables. With a lift-off hinge (5), the camera, together with the integrated sunshield, is easily hung onto the wall bracket, freeing up hands to make cable connections. The hinge allows the camera unit to swing in and be fastened with three screws.



Shaped like a lamp, the camera's sloping form not only makes it more discreet, but also hinders attempts by vandals to pull it down with a rope. The sunshield (at left) covers the entire camera and can be easily removed into two parts and repainted to match the wall color. Air vents in the sunshield are designed to prevent the entry of wasps and other big insects.

Hidden and waterproof junction box



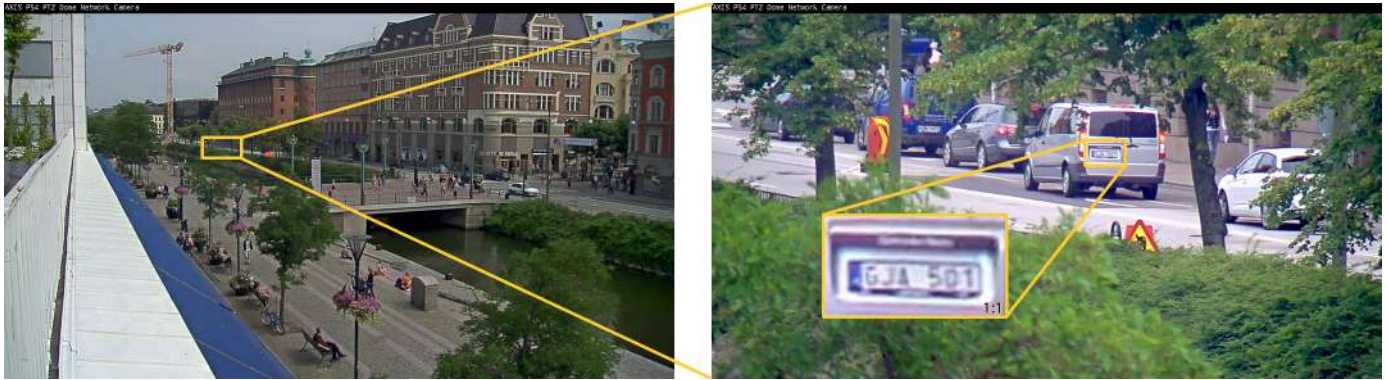
The waterproof IP66-rated junction box contains an RJ45 connector (6) for network connection and power using Power over Ethernet Plus (PoE+). Users can also choose to power (7) the camera using a 24 V DC cable (cable not included). There are also four configurable input/output ports (8) for connection to external devices to enhance alarm management. Two-way audio, with mic in/line in and line output (9), is supported. A memory card slot (10) enables recordings to be stored locally on an SD/SDHC/SDXC card.

Unsurpassed mechanical endurance



An AXIS P54 camera is directly attached to the drive shaft of two motors (pointed out in image at left)—one for panning and another for tilting the camera. With no parts such as belts or gears, AXIS P54's durable pan/tilt system is fast and provides customers with a reliable, low-maintenance PTZ camera.

HDTV quality and 18x optical zoom



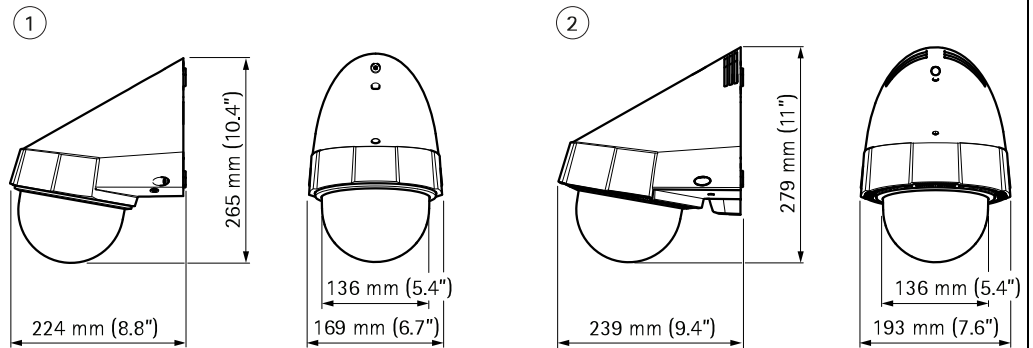
Images from AXIS P54. Left: wide view. Right: 18x zoomed-in view where the license plate of a vehicle 200 m (660 ft) away can be read.

AXIS P54 cameras are compliant with SMPTE's HDTV standards in terms of resolution, frame rate, color fidelity and a 16:9 format. The cameras use a very light-sensitive image sensor that enables them to deliver better image quality in low-light conditions than many other HDTV PTZ cameras.

In low light or night-time conditions, the cameras' automatic day/night functionality enables them to make use of infrared light from available light sources to produce high-quality black and white video.

Dimensions

1. Without sunshield: side and front views
2. With sunshield: side and front views



Optional accessories

1. AXIS P54 Smoked Dome
2. AXIS T94P01B Corner Bracket
3. AXIS T98A19-VE Surveillance Cabinet
4. AXIS T8310 Video Surveillance Control Board
5. AXIS T90A Illuminators
6. AXIS High PoE midspans
7. AXIS Camera Station and video management software from Axis' Application Development Partners. For more information, see www.axis.com/products/video/software/



Technical Specifications - AXIS P54 PTZ Dome Network Camera Series

Models	AXIS P5414-E 50 Hz, AXIS P5414-E 60 Hz AXIS P5415-E 50 Hz, AXIS P5415-E 60 Hz	Analytics	Video motion detection, Audio detection, Advanced Gatekeeper, AXIS Camera Application Platform enabling installation of additional applications
Camera		Event triggers	Video motion detection, Audio detection, External input, PTZ preset, Temperature, Memory card full
Image sensor	1/2.8" Progressive scan RGB CMOS	Event actions	File upload: FTP, HTTP, network share and email Notification: email, HTTP and TCP External output, PTZ preset, Guard tour, Play audio clip, Video and audio recording to edge storage, Day/night mode, Pre- and post-alarm video buffering
Lens	f=4.7–84.6 mm, F1.6–2.8, Autofocus Horizontal angle of view: 59°–4°	Data streaming	Event data
Day and night	Automatically removable infrared-cut filter	Built-in installation aids	Pixel counter
Minimum illumination	AXIS P5414-E: Color: 0.4 lux at 30 IRE F1.6; B/W: 0.04 lux at 30 IRE F1.6 AXIS P5415-E: Color: 0.5 lux at 30 IRE F1.6; B/W: 0.04 lux at 30 IRE F1.6	General	
Shutter time	2 s to 1/28000 s	Casing	IP66- and NEMA 4X-rated, IK07 impact-resistance, metal casing (aluminum), clear dome (PC), sunshield (ASA)
Pan/Tilt/Zoom	18x optical zoom and 12x digital zoom, total 216x zoom 100 preset positions, Limited guard tour, Control queue, Focus window, On-screen directional indicator Pan: ± 135° ^a AXIS P5414-E: 0.2°–350°/s AXIS P5415-E: 0.2°–400°/s Tilt: 0°–90° AXIS P5414-E: 0.2°–350°/s AXIS P5415-E: 0.2°–400°/s	Memory	256 MB RAM, 128 MB Flash
Video		Power	Power over Ethernet Plus (PoE+) IEEE 802.3at Type 2 Class 4, max. 30 W 24 V DC max. 16 W (PoE+ midspan and power supply not included)
Video compression	H.264 Main and Baseline Profiles (MPEG-4 Part 10/AVC) Motion JPEG	Connectors	RJ45 for 10BASE-T/100BASE-TX PoE Terminal blocks for DC input, 4 configurable alarm inputs/outputs, Mic in/Line in, Line out
Resolutions	AXIS P5414-E: 1280x720 (HDTV 720p) to 240x135 AXIS P5415-E: 1920x1080 (HDTV 1080p) to 240x135	Edge storage	SD/SDHC/SDXC slot supporting memory card up to 64 GB (card not included) Support for recording to dedicated network-attached storage (NAS)
Frame rate	H.264: Up to 25/30 fps (50/60 Hz) in all resolutions Motion JPEG: Up to 25/30 fps (50/60 Hz) in all resolutions	Operating conditions	-20 °C to 50 °C (-4 °F to 122 °F) Humidity 10–100% RH (condensing)
Video streaming	Multiple, individually configurable streams in H.264 and Motion JPEG Controllable frame rate and bandwidth VBR/CBR H.264	Approvals	EN 50121-4, IEC 62236-4: 2008, EN 50581, EN 55022 Class B, EN 61000-6-1, EN 61000-6-2, EN 55024, FCC Part 15 Subpart B Class B, ICES-003 Class B, VCCI Class B, C-tick AS/NZS CISPR 22 Class B, KCC KN22 Class B, KN24, IEC/EN/UL 60950-1, IEC/EN/UL 60950-22, IEC 60068-2-1, IEC 60068-2-2, IEC 60068-2-6, IEC 60068-2-14, IEC 60068-2-27, IEC 60068-2-30, IEC 60068-2-78, IEC 60529 IP66, NEMA 250 Type 4X, IEC 62262 Class IK07, ISO 4892-2
Image settings	Wide dynamic range (WDR), Compression, Color, Brightness, Sharpness, Contrast, White balance, Exposure control, Exposure zones, Backlight compensation, Fine tuning of behavior at low light, Text and image overlay, 20 individual 3D privacy masks	Weight	3.5 kg (7.7 lb.)
Audio		Included accessories	Installation Guide, AVHS Authentication key, Installation and Management Software CD, Windows decoder 1-user license
Audio streaming	Two-way	Video management software	AXIS Camera Companion (included), AXIS Camera Station and video management software from Axis' Application Development Partners (not included). For more information, see www.axis.com/products/video/software
Audio compression	AAC-LC 8/16 kHz, G.711 PCM 8 kHz, G.726 ADPCM 8 kHz Configurable bit rate	Warranty	Axis 3-year warranty and AXIS Extended Warranty option, see www.axis.com/warranty
Audio input/output	External microphone or line input, and line output	<p>a. <i>With corner-mount installations, there is slight visual obstruction from the housing in the upper left/right corner of the image at pan end points.</i></p> <p>b. <i>This product includes software developed by the OpenSSL Project for use in the OpenSSL Toolkit. (www.openssl.org), and cryptographic software written by Eric Young (ey@cryptsoft.com).</i></p>	
Network		More information is available at www.axis.com	
Security	Password protection, IP address filtering, HTTPS ^b encryption, IEEE 802.1X ^b network access control, Digest authentication, User access log		
Supported protocols	IPv4/v6, HTTP, HTTPS ^b , SSL/TLS ^b , QoS Layer 3 DiffServ, FTP, CIFS/SMB, SMTP, Bonjour, UPnP [™] , SNMPv1/v2c/v3 (MIB-II), DNS, DynDNS, NTP, RTSP, RTP, TCP, UDP, IGMP, RTCP, ICMP, DHCP, ARP, SOCKS		
System integration			
Application Programming Interface	Open API for software integration, including VAPIX [®] and AXIS Camera Application Platform; specifications at www.axis.com AXIS Video Hosting System (AVHS) with One-Click Camera Connection ONVIF Profile S, specifications at www.onvif.org		