



# ND9541P

H.265 32-CH Embedded PoE NVR

H.265/H.264 • 4K Display • 16x PoE Port • 4x HDD • PoE Management • RAID •  
Fisheye Dewarp • Cybersecurity • Web Plugin Free

- H.265/H.264 Compression Technology
- 4K Display for Clear Monitoring
- Up to 1080p 16CH Decoding Ability
- Smart Search II
- Smart VCA Event Search
- Cybersecurity Management & Trend Micro IoT Security
- 802.3at/af Compliant PoE port x 16
- PoE Management
- Customer Support
- RAID 0, 1, 5 Supported to Prevent from Recording Data Loss
- Multiple Browsers Supported: IE, Chrome and Firefox on both Windows & macOS
- Supports VCA Counting Solution



# Technical Specifications

## Device

Model	ND9541P
OS	Embedded Linux
Watchdog	Hardware + Software
Power Restoration	System Restart Automatically after Power Recovery

## Local Display

LiveView Display	32 Channels Multi-Layout Display: 1x1, 2x2, 3x3, 1P+3, 2P+3, 1M+5, 1P+6, 3V, 1M+12, 4x4, 1M+31
Video Output	HDMI x1, VGA x1
Display Resolution	3840x2160, 1920x1080, 1280x720
Camera Position	Change the viewcell position on the Live View screens
Stream Application	Constant\Auto Adaptive Stream
Monitor Enhancement	OSD display (NVR), OSD display (camera), camera information, remote I/O control, event notification, aspect ratio
Fisheye Dewarp	1O, 1P, 1R, 1O3R, 1O8R
PTZ Operation	Direction Control, Home, Iris, Preset, Patrol (Group), PIP Control

## Video

Video Format	H.265, H.264, MJPEG
Graphic Decoder	Hardware decoding
Decoding Resolution	Up to 4096x4096 (H.265) 8192x8192 (H.264)
Decoding Capability	H.265/H.264: 3840x2160 @ 120 fps (4-CH) 1920x1080 @ 480 fps (16-CH)

## Audio

Audio Format	G.711, G.726
Audio In/Out	3.5 Phone jack audio output x1 3.5 Phone jack audio input (reserved) x1

## Record

Recording Time (sec.)	Pre-Record: 5 (Max. 10) Post-Record: 20 (Max. 300)
Recording Stream	Single
Recording Throughput	192 Mbps
Recording Mode	Continuous, Schedule, Manual, Event, Activity Adaptive Streaming
Recording Setting	Recycle (unit: Day)
Watermark	Supported

## Storage & Backup

HDD Devices	Internal x4 (3.5") *HDD is purchased by separately.
HDD Max. Capacity	*Please refer to the HDD supported list on the VIVOTEK website.
RAID	RAID 0, 1, 5 (single volume up to 16TB)
Disk Management	Create, Format and Remove Disk HDD S.M.A.R.T.
External Storage	USB Storage (USB 3.0)
Video Clip Export	USB Dongle (FAT Format)
Schedule Backup	FTP

## Playback

Playback Display	4 Channels Multi-Layout Display: 1x1, 2x2, 1P+3, 1V+3
------------------	--

Playback Control	Regular (play, pause, stop), rewind, next/previous frame, speed control, calendar, event, timeline, timeline scale, thumbnail (storyboard)
Video Search	By calendar, date/time, and alarm
Thumbnail Explorer (Storyboard)	Listing the thumbnail of recorded video (Max. 2-CH)
Snapshot	JPEG
Video Clip Export	EXE

## Network

Ethernet	10/100/1000Mbps Ethernet (RJ-45) x2
Video Throughput for Remote Client	96 Mbps
PoE	802.3at/af Compliant PoE Ports x 16 (Total Max. 160 W) * DO NOT suggest connecting any non-PD device with this NVR PoE port in order to avoid potential risk.
PoE Management	Supported
Protocols	IPv4, IPv6, TCP/IP, HTTP, HTTPS, UPnP, RTSP/RTP/RTCP, SMTP, FTP, DHCP, NTP, DNS, DDNS, IP Filter

## External Interface

USB	Front: 2 (USB 2.0) Back: 1 (USB 3.0)
Alarm In	8
Alarm Out	4
Audio	3.5 Phone Jack Audio Output x1 3.5 Phone Jack Audio Input (Reserved) x1
RS485	1 Port (Reserved)

## System

POS Integration	Supported (by project request)
UPS Integration	Supported (by project request)
Camera Integration	ONVIF Profile S
Event	Motion Detection, Smart VCA Event, Cyber Attack, PIR Detection, Tampering Detection, Camera DI/DO, Camera Disconnected, Disk Failure, Disk Full, NVR DI/DO, PoE error
Event Action	Record, Email (Text), Email (Snapshot), FTP, Buzzer, ePTZ Control (Go to Preset), NVR DO, Camera DO, VIVOCLOUD APP Notification
User Management	User level: administrator, regular user
Log	System, recording, user, error
Date & Time	Time Zone, Manual, Automatic Sync NTP, Daylight Saving Time
Language	Czech, English, French, German, Italian, Japanese, Korean, Portuguese, Polish, Russian, Spanish, Simplified Chinese, Traditional Chinese

## Advanced Features


VCA Counting Solution	Supported
VCA Event Search	Supported
Smart Search II	Supported
Trend Micro IoT Security	Supported
Cybersecurity Management	Supported

## Remote Client

Software AP	Shepherd, VAST 2
Mobile/Tablet App	iViewer (Android & iOS)
Web Browser	Internet Explorer 10 (32 bit) or above/ Windows Chrome v68.0.3 & Firefox v61.0.2 or above/ Windows & macOS (The new web interface is only supported by Chrome)
VIVOCLOUD	Supported

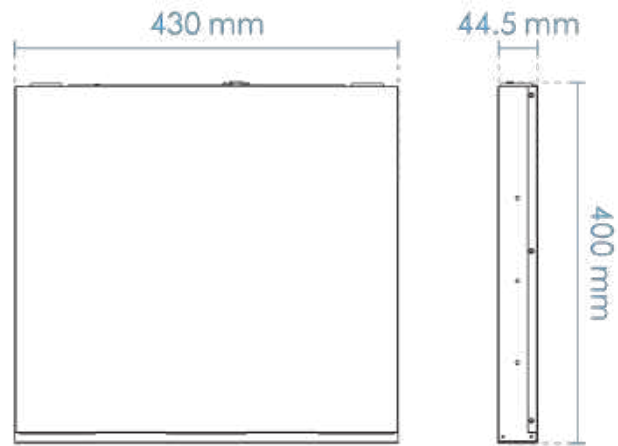
## General

Power Input	100-240V AC, 50/60Hz
Power Consumption	Max. 260 W



Dimensions	430 (W) x 400 (D) x 44.5 (H) mm
Weight	4.5 kg (without HDD)
Operating Temperature	0°C ~ 40°C (32°F ~ 104°F)
Humidity	0 ~ 95%
Safety Certifications	CE, LVD, FCC, VCCI, C-Tick, UL
Warranty	36 months

## Dimensions



## Ordering Information

Model	Description	P/N
ND9541P	H.265, 32CH, 16 PoE, 4HDD NVR	100150800G, US
		100150810G, EU
		100150820G, UK
		100150840G, AU

## Mechanical Information

